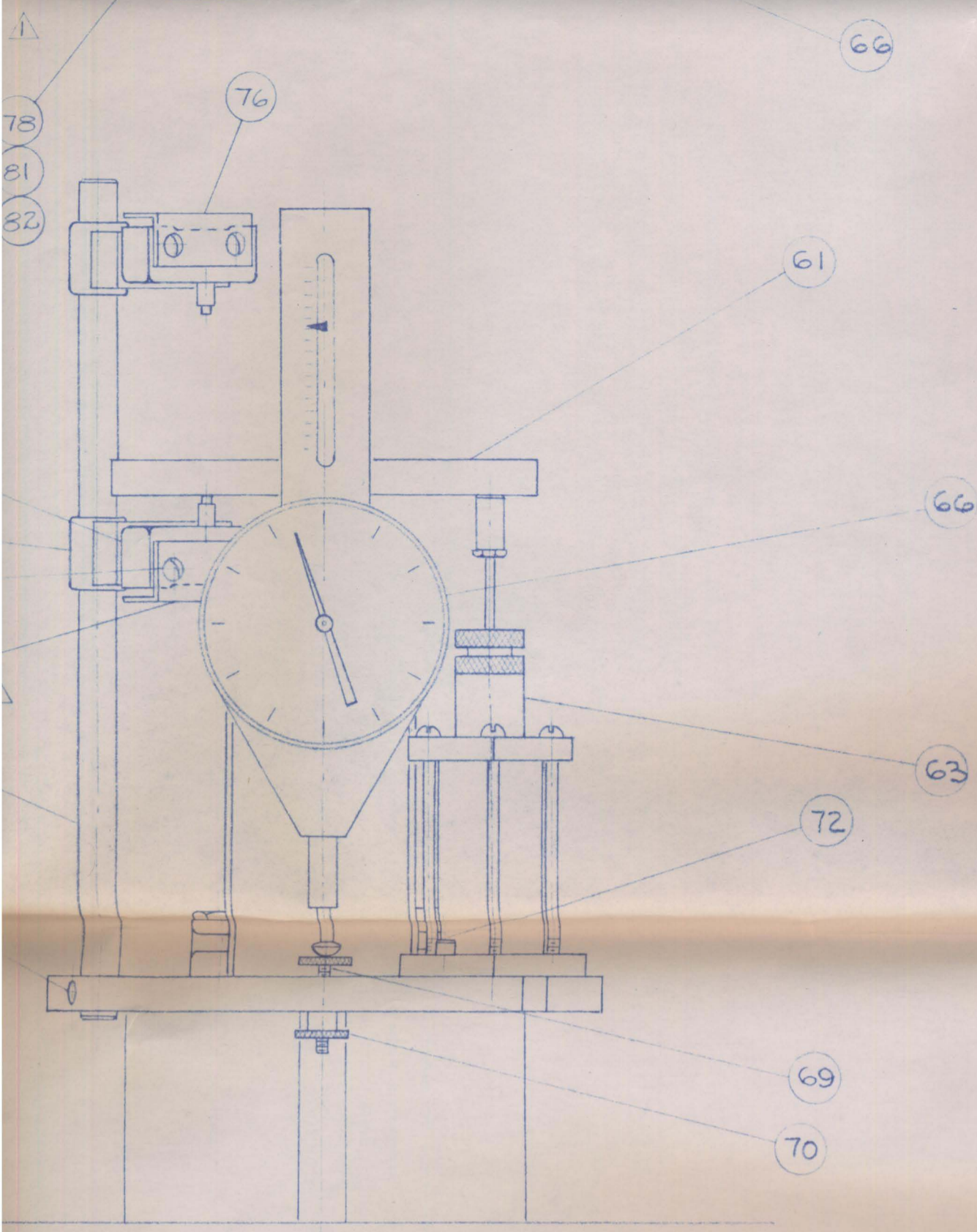


TOP VIEW



FRONT VIEW

TYPICAL DETAIL
EXTERIOR EQUIPMENT ON RAM

SCALE: HALF SIZE

RAM NO. 3

